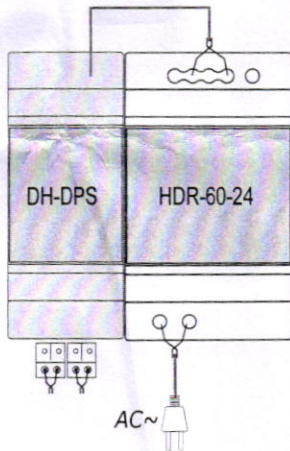


PC7D power combo instructions

1. Description:

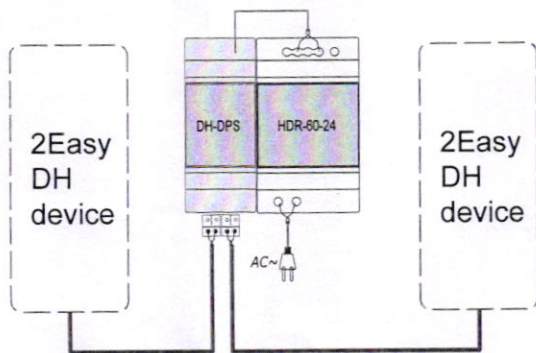
The PC7D works with the 2EASY DH system as a power supply for the devices.



PC7D

2. Wiring:

There is no need to differentiate between the door station port and the indoor monitor port. Both ports function the same.

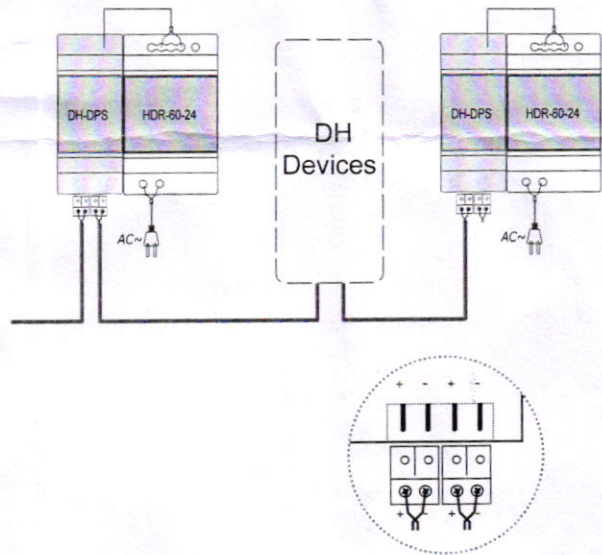


3. Specification(PC7D):

Input Voltage:	100~240Vac
Input Frequency:	50~60Hz
Rated Output Voltage:	DC 28V
Rated Output Current:	2.1A
Working Temperature:	-10°C~50°C
Input Voltage:	Max.230Vac, 1.8A
Dimension:	88*98*59mm

4. Add auxiliary power:

The polarity shall same when use as auxiliary power supply



5. Warning:

- the unit can only be used in 2EASY DH products.
- Don't connect the unit with any non-specified power source. Fire or electric shock could result.
- Don't dismantle or alter the unit. Fire or electric shock could result.
- The unit must be installed and wired by a qualified technician.
- Keep the unit away from water or any other liquid. Fire or electric shock could result.