

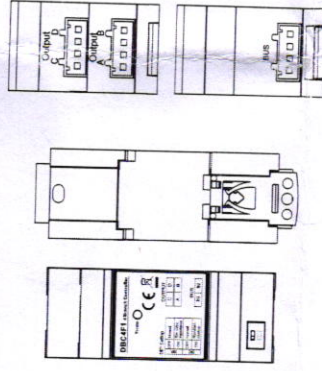
## 5. Specification

Power Supply :	DC20~30V
Working Temperature:	-10°C~+40°C;
Wiring:	2 wires (non-polarity);
Dimension:	89(H)×71(W)×45(D)mm

**Description:** DBC4F1 video distributor with 4 branches and isolation protection function.

- Can be used as 4 inputs(outdoor stations) controller or 4 outputs(indoor stations) controller;
- Separate isolation protection without affecting another devices on bus system;
- Short-circuit indication for convenient maintenance;
- Periodic self-detection mechanism for recovery.

## 1. Parts and Functions



IN-USE: Status indicator, it will light up when receives signal.

DIP Switch \*DIP 1: Video match switch, the last DBC4F1 at the end of the bus should set ON to match the video impedance.

DIP Switch \*DIP 2: Random power, if during power up the power supply goes into short protection due to the surge current, set it to ON to sperate the power on

Bus: Input port, bus connection port.

A, B, C, D: Output port, connect to indoor monitors or door stations.

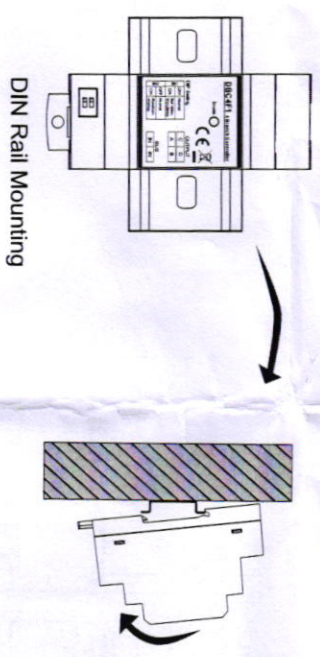
### Note:

- Operation mode: Protection mode will be activated once its connected devices are short circuited, and power supply for ABCD outputs will be turn off, the flashing in-use indicator shows the distributor is in the protection mode.
- Self-detection: System will auto check whether the short circuit is fixed or not, then recover the power supply, and in-user indication will be turn off;
- Detection period: Self-detection will be happened regularly according rules, and in-use indicator will flash rapidly three times when check happens; 1<sup>st</sup> detection will be happened in 10 seconds after short circuit;

The design and specifications can be changed without notice to the user. Right to interpret and copyright of this manual are preserved.

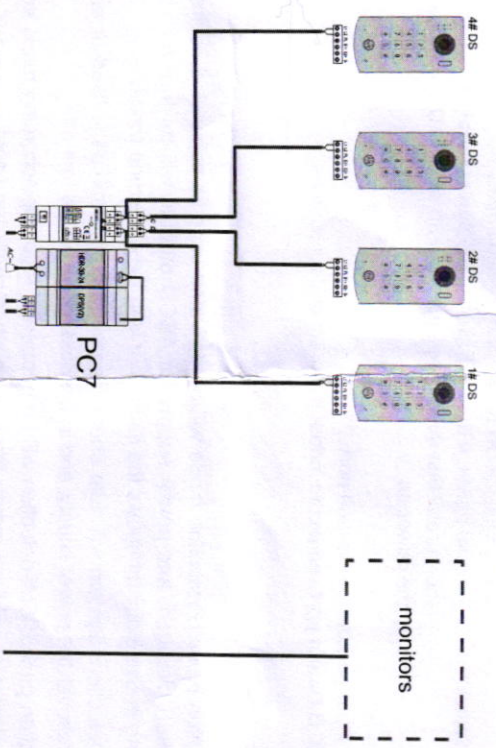
- 2<sup>nd</sup> detection will be happened in 60 seconds after 1st detection;
- 3<sup>rd</sup> detection will be happened in 5 minutes after 2nd detection;
- 4<sup>th</sup> detection will be happened in 10 minutes after 3rd detection;
- 5<sup>th</sup> hereafter detection will be happened every 30 minutes;

## 2. Unit Mounting



## 3. System Wiring with DBC4F1

Multi Door Station Wiring:



Note: DBC4A1 applies to all door station and monitor, the diagram uses DT591 as an example.

Multi Monitors Wiring:

