

Product Information

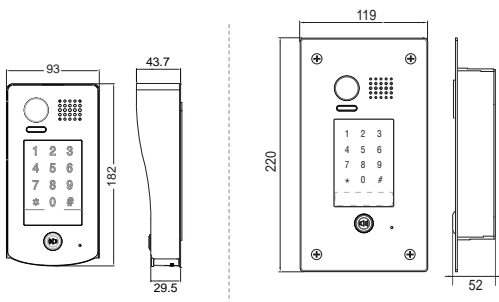
DT601KPSeries 2-Wire Outdoor Station



DESCRIPTION

2-wire system color fisheye camera outdoor station with keypad access control.

DIMENSION

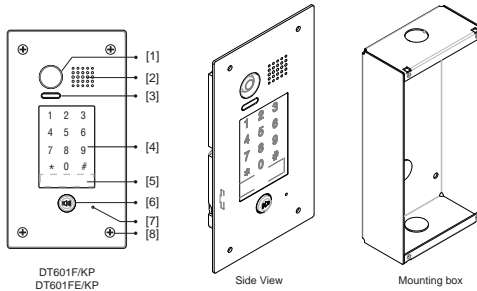
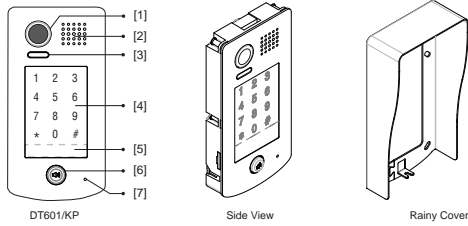


FEATURES

- 4mm plexiglass cover
- Waterproof nameplate design with blue light background
- 170° fisheye high resolution camera
- Anti-tamper screw installation
- Full stainless steel materials design
- Keypad access control
- Support two kinds of lock(power on/off)
- IP54 strong waterproof
- Surface and flush mounting optional

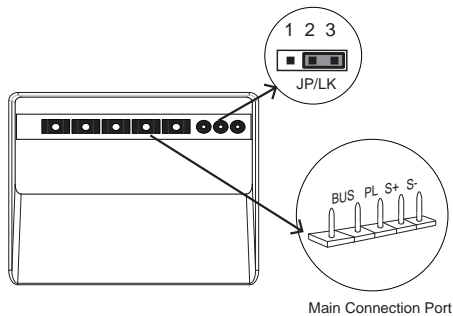


1. Parts and Functions



- [1] Fisheye camera Lens
- [2] Speaker
- [3] Night Light LED
- [4] Touch sensitive digital keypad
- [5] Nameplate
- [6] Call Button
- [7] Microphone
- [8] Mounting Screws

2. Terminal Description



Lock Control Jumper: To select the lock type.

Main Connect Port: To connect the bus line and the electronic locks.

BUS: Connect to the bus line, non polarity.

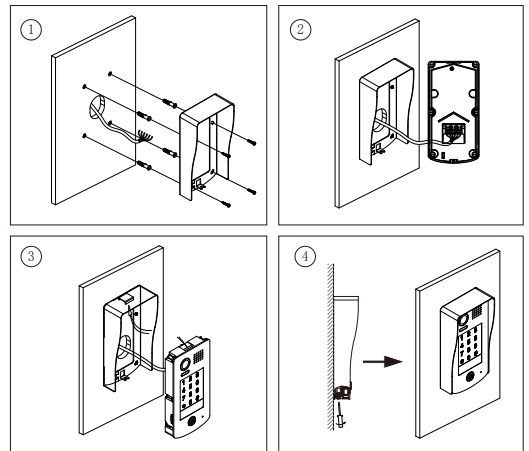
PL: External lock power input, connect to the power positive(power +).

S+: Lock power(+) output.

S-: Lock power(-) output, connect to the power(-) input of locks(only when using the door station to power the locks, if using the external power supply for the locks, the S- will not be connected).

3. Mounting

Surface mounting



1. Drill holes in the wall to match the size of screw stoppers, then attach the rainy cover to the wall.

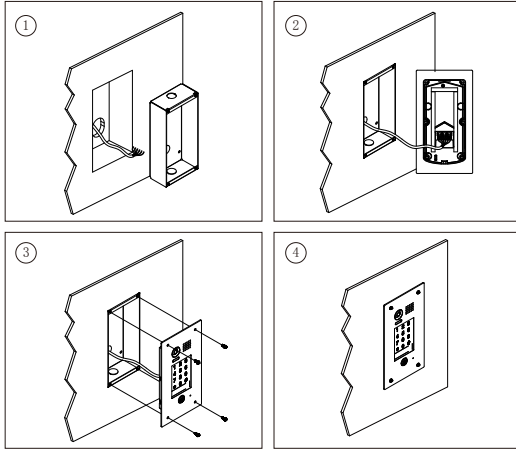
2. Connect the cable correctly.

3. Attach the panel to the rainy cover.

4. Use the special screwdriver and the screws to fix the panel.



Flush mounting



1. Drill a hole in the wall to match the size of the mounting box and attach to the wall.
2. Connect the cable correctly.
3. Attach the panel to the mounting box and use the special screwdriver and the screws to fix the panel.

4. Specification

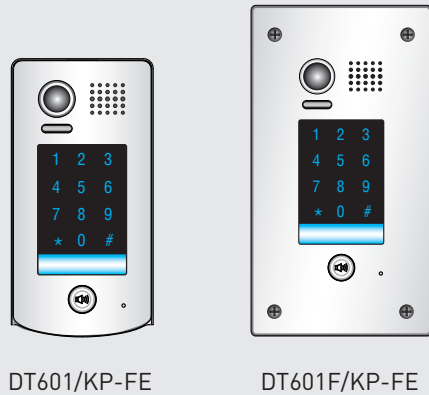
- Power supply:** 26Vdc(supplied by PC6A)
- Camera:** 1/2.7" 170° fisheye lens
- Power Consumption:** ≤1W in standby
≤3.5W in working
- Unlock Power output:** 12Vdc,280mA
- Unlock timing:** 1~99s
- Working temperature:** - 20°C ~ +55°C
- Wiring:** 2 wires (non-polarity)
- Dimension:** 182(H)×93(W)×44(D)mm(*surface)
220(H)×120(W)×50(D)mm(*flush)

*Surface means surface mounting model DT601/KP-FE

*Flush means flush mounting model DT601F/KP-FE

5. Ordering Information

Model No.	Description	Remark
DT601/KP-FE	Color Fisheye lens outdoor station with keypad access control(surface mounting version)	NSTC,PAL must be specified
DT601F/KP-FE	Color Fisheye lens outdoor station with keypad access control(flush mounting version)	NSTC,PAL must be specified



6. Accessories(Included in package)

Screw stopper x 4 	Mounting screw x 4 	Wall mounting screw x 4
Screwdriver x 1 	Connector x 1 	



7. Packing Information

Single Package



Dimensions: 200(H)×100(W)×60(D)mm(surface)
225(H)×140(W)×63(D)mm(flush)

Gross Weight: ≈0.76Kg(surface)
≈1.15Kg(flush)

Carton Package



Carton: 265(H)×415 (W)×360(D)mm

Quantity: 28PCS(surface)
15PCS(flush)