

Product Information

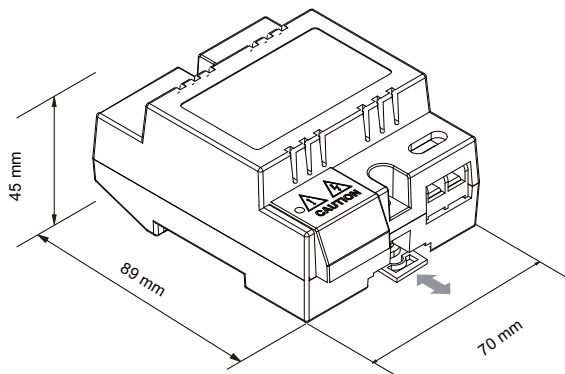
DT Accessories
DT-DPS



DESCRIPTION

2-wire system power separator

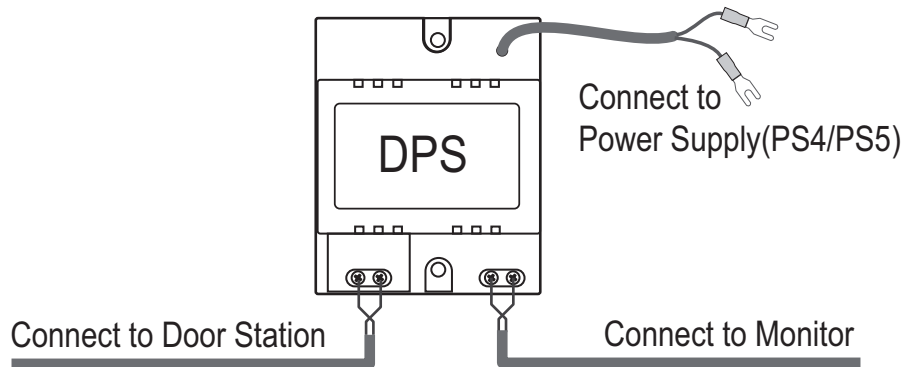
DIMENSION



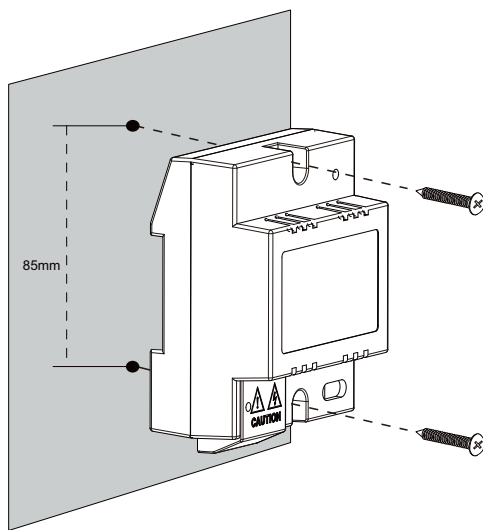
FEATURES

- ▶ Power supply separator for connecting 1 door station
- ▶ Used with PS5 or PS4
- ▶ 4 DIN modules

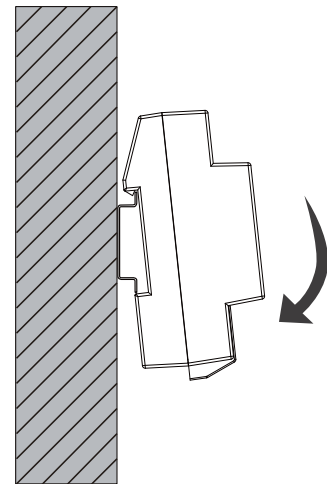
1. Parts and Functions



2. Unit Mounting



Direct Wall Mounting



DIN Rail Mounting

3. Specification

- * Power Supply : DC24V;
- * Temperature: $-10^{\circ}\text{C}\sim+40^{\circ}\text{C}$;
- * Wiring: 2 wires (non-polarity);
- * Dimension: 89(H) \times 70(W) \times 45(D)mm

4. Ordering Information

Model No.	Brief Description	Remark
DT-DPS	power separator	connect with PS4 or PS5

5. Packing Information



The image shows the DT-DPS power separator unit on the left and an open cardboard carton on the right. The unit is a rectangular metal device with a label that reads "MODEL: DT-DPS" and "DT-DPS 2-WIRE SYSTEM DT Power Separator". It features two sets of terminals labeled "BUS (+) (-) TO DOOR STATION" and "BUS (+) (-) TO MONITOR". A red and black cable is connected to the top terminals. The carton is a standard brown cardboard box with its top flaps open.

Dimensions: 100(H)×85(W)×60(D)mm
Gross Weight: 0.27Kg

Carton: 450(H)×310 (W)×110 (D)mm
Quantity: 25PCS