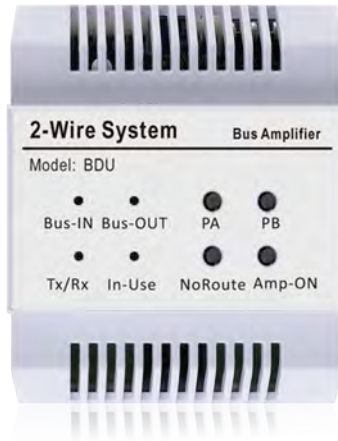


Product Information

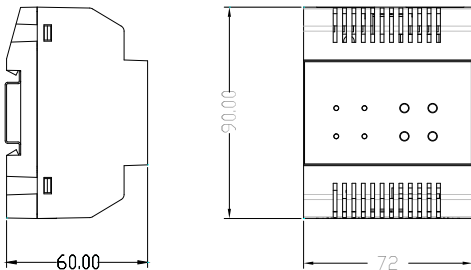
DT Accessories
DT-BDU



DESCRIPTION

The BDU unit is bus amplifier unit and networking component designed for DT 2-wire system. It has three work modes: Repeater mode, Router mode and Gateway mode.

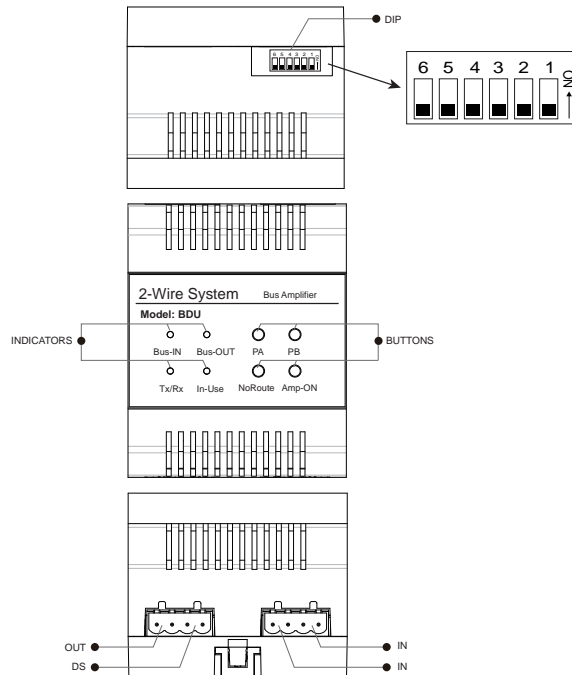
DIMENSION



FEATURES

- ▶ Bus amplifier unit;
 - ▶ Networking component;
 - ▶ Long distance to 480m;
*1 Extends capacity up to 128 units;
 - ▶ Fully isolation by optical couplers;
 - ▶ Repeater/router/gateway working mode;
 - ▶ Up to 2 BDU can be cascaded.
-

1.Parts and Functions



DIP Setting:

Bit-1 to Bit-2 are used to BDU working modes setting.

Bit-3 to Bit-5 are used to address settings.

Bit-6 is used to video Impedence match.

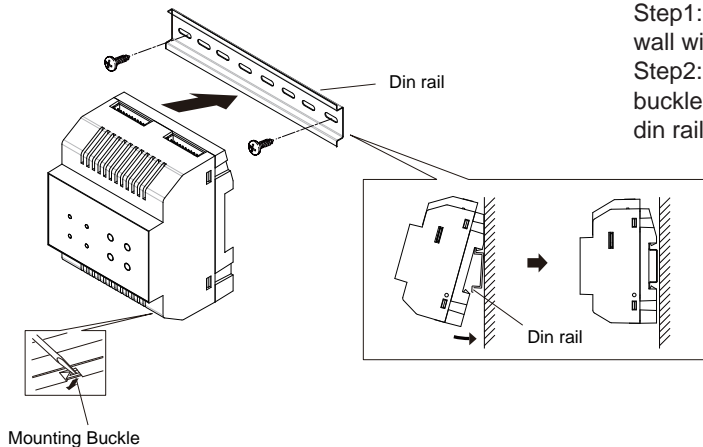
INDICATORS:

- 1.Bus-IN: Always on when connect to net.
- 2.Bus-OUT: Always on when connect to monitor.
- 3.Tx/Rx: Flashes when communicating.
- 4.In-Use: Always off when in standby mode.

BUTTONS:

- 1.PA, PA: Video Amplifier Gain adjust.
- 2.NoRoute, Amp-ON: Debug button.

2. Unit Mounting



Step1: Mount the din rail to the wall with screws ;
Step2: Pull down the mounting buckle, then hang the unit on din rail.

3. Specification

- Power Supply : DC 24V;
- Power Consumption: Standby 13.5mA; Working status 156mA;
- Working temperature: -15°C ~ +55°C;
- Wiring: 2 wire, non-polarity;
- Dimension: 90(H)X72(W)X60(D)mm.

4. Packing Information



Dimensions: 108(H)×79(W)×73(D)mm
Gross Weight: 0.25Kg



Carton: 530 (H)×340 (W)×258 (D)mm
Quantity: 56PCS