

Product Information

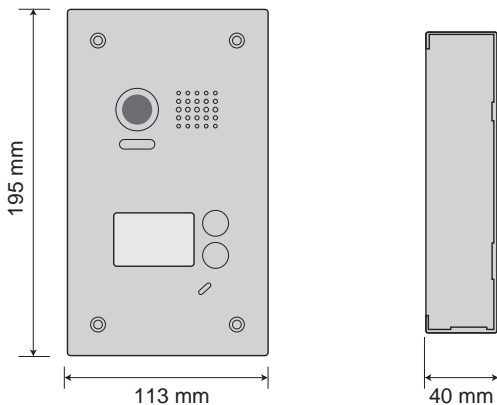
DT603F Series 2-Wire Outdoor Station System



DESCRIPTION

2-wire system color outdoor station with wide angle camera.

DIMENSION

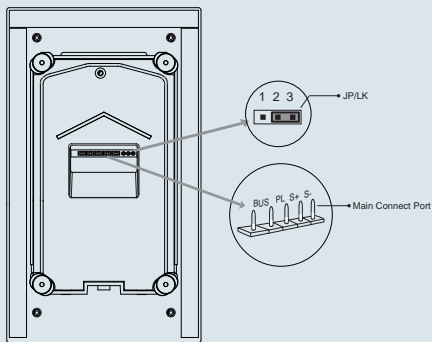
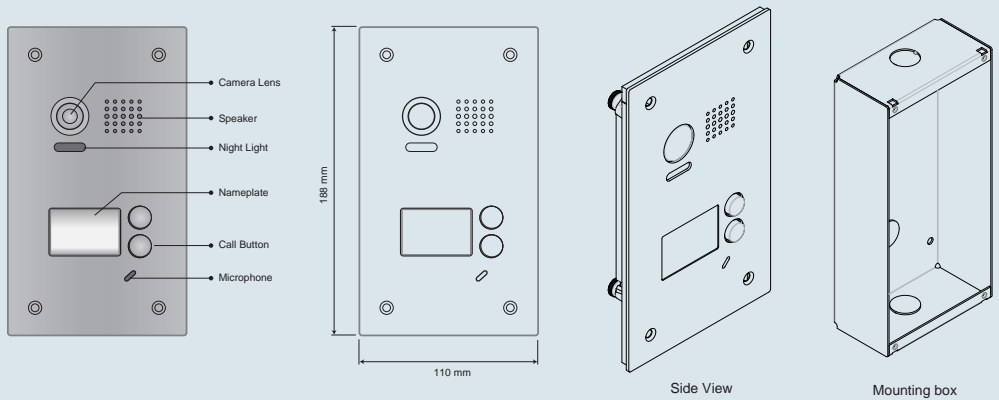


FEATURES

- ▶ Stainless steel panel;
- ▶ High resolution camera;
- ▶ 105° visual angle;
- ▶ Auto-sensor light illumination;
- ▶ Large nameplate display;
- ▶ IP54 weatherproof rate;
- ▶ One/two buttons choose;
- ▶ Flush mounting.

*1 Two buttons version-DT603DF

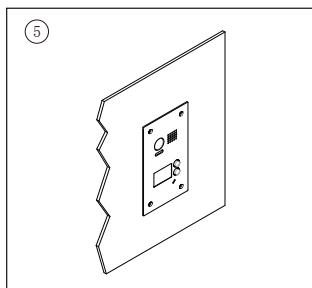
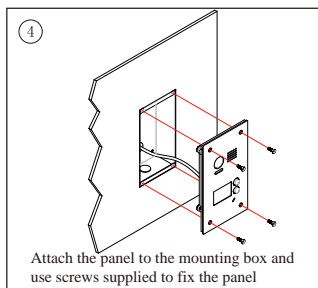
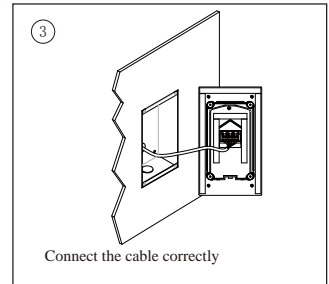
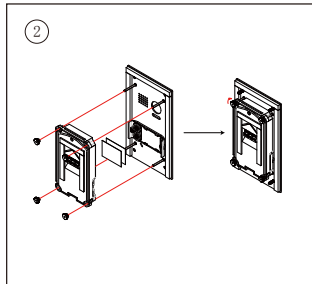
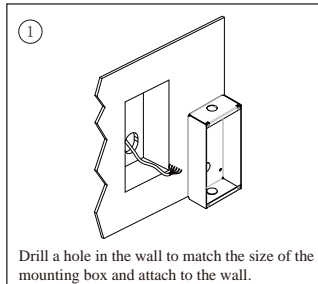
1. Parts and Functions



- **JP/LK:** Lock control jumper, to select the lock type.
- **Main Connect Port:** To connect the bus line and the electronic locks.
- **BUS:** Connect to the bus line, no polarity.
- **PL:** External lock power input, connect to the power positive(power +).
- **S+:** Lock power(+) output.
- **S-:** Lock power(-) output, connect to the power(-) input of locks(only when using the camera to power the locks, if using the external power supply for the locks, the S- will not be connected).

2. Door Station Mounting

DT603F Mounting



3. Specification

- Power Supply : DC 24V;
- Power Consumption: Standby 33mA; Working status 110mA;
- Camera: Color ARS; 650 TV Lines;
- Lock Power supply: 12Vdc, 300mA(Internal Power);
- Unlock time: 1~30s(Default 1s);
- Working temperature: -15°C ~ +55°C;
- Wiring: 2 wires,non-polarity;
- Dimension: 188(H)×110(W)×39(D)mm;

4. Ordering Information for Door Station



DT603F

DT603DF

Model No.	Brief Description	Remark
DT603F	Color outdoor station by flush mounting	NSTC, PAL must be specified
DT603DF	Color outdoor station by flush mounting	NSTC,PAL must be specified

5. Packing Information



Dimensions: 225(H)×140(W)×63(D)mm
Gross Weight: 0.97Kg

Carton: 415 (H)×360 (W)×265 (D)mm
Quantity: 15PCS