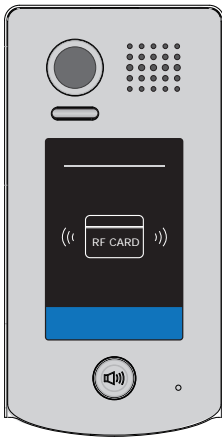
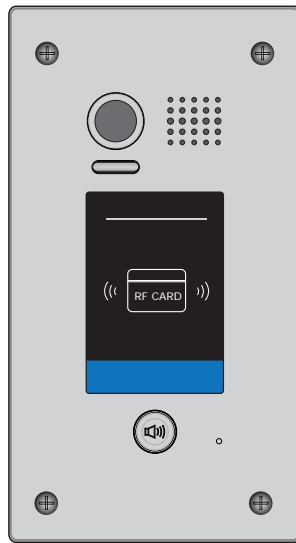


2-Wire Video Outdoor Station

User Manual

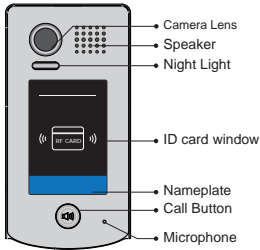


DT601/ID/FE

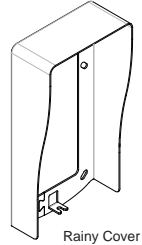
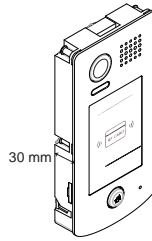
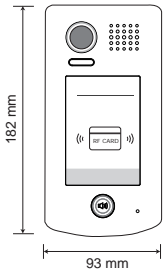


DT601F/ID/FE

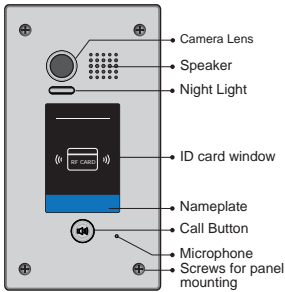
1.Parts and Functions



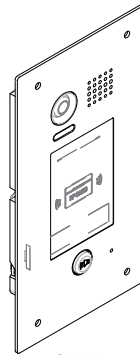
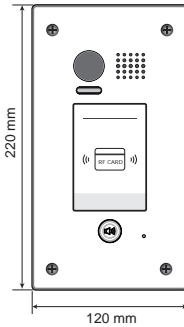
DT601/KP/FE



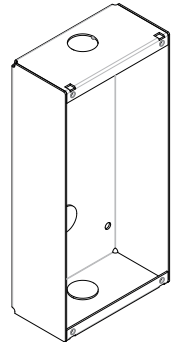
Rainy Cover



DT601F/ID/FE

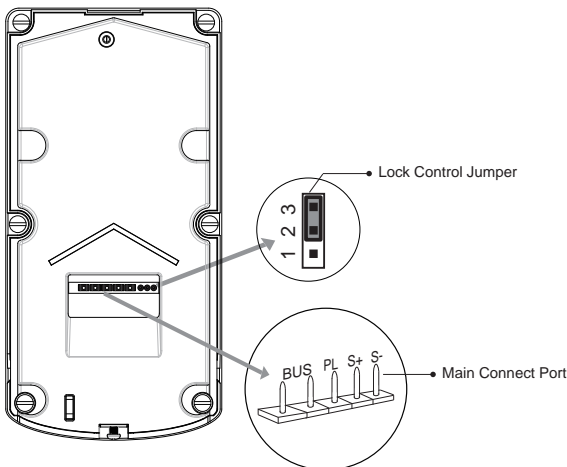


Side View



Mounting box

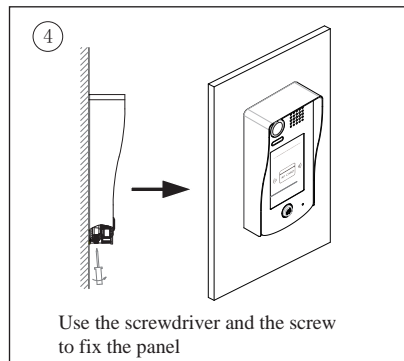
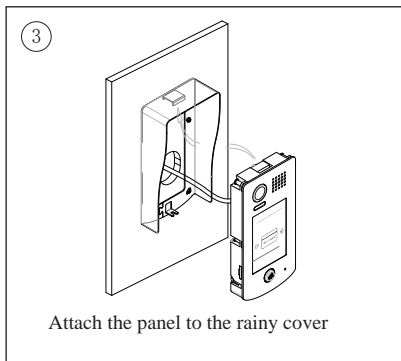
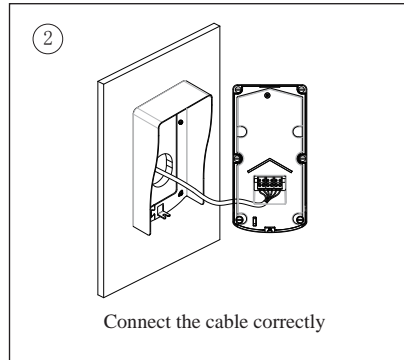
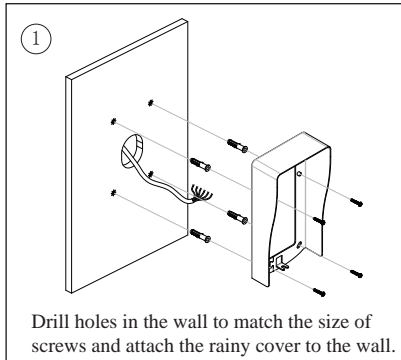
2.Terminal Descriptions



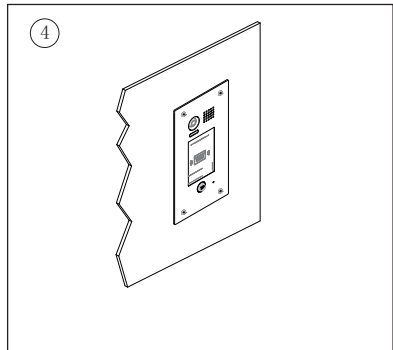
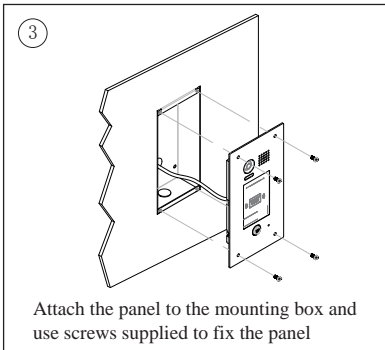
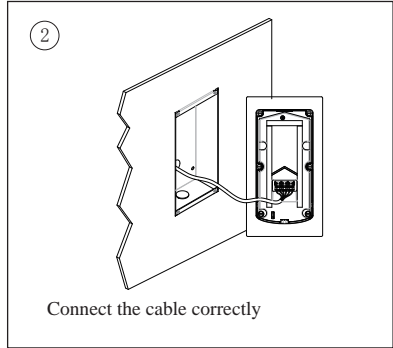
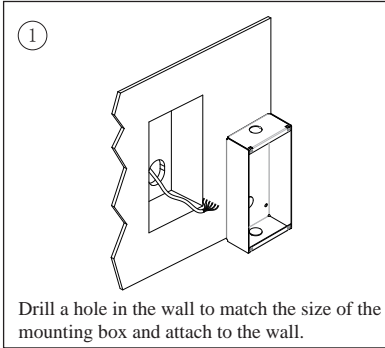
- **Lock Control Jumper:** To select the lock type.
- **Main Connect Port:** To connect the bus line and the electronic locks.
- **BUS:** Connect to the bus line, no polarity.
- **PL:** External lock power input, connect to the power positive(power +).
- **S+:** Lock power(+) output.
- **S-:** Lock power(-) output, connect to the power(-) input of locks(only when using the door station to power the locks, if using the external power supply for the locks, the S- will not be connected).

3.Door Station Mounting

DT601/ID/FE Mounting

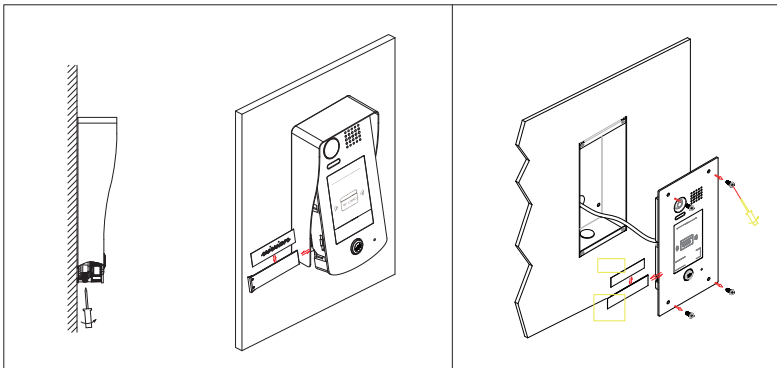


DT601F/ID/FE Mounting



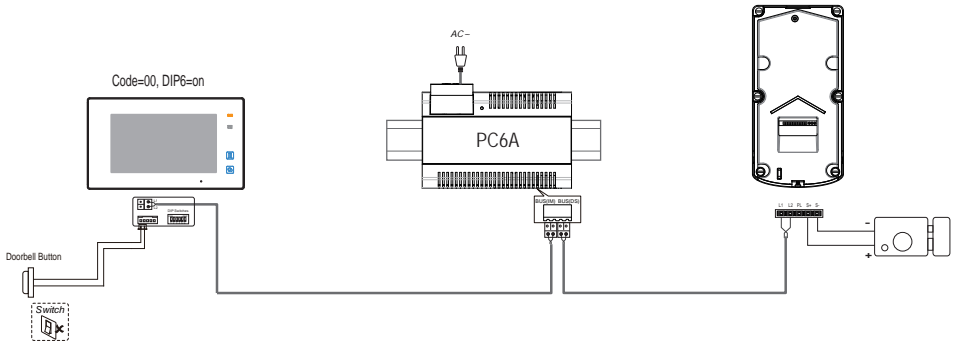
Placing Name Label

Use a screwdriver to unscrew the screw, and cock the host , then Placing Name Label.



4. System Wiring and Electric Lock Connection

Basic Connection

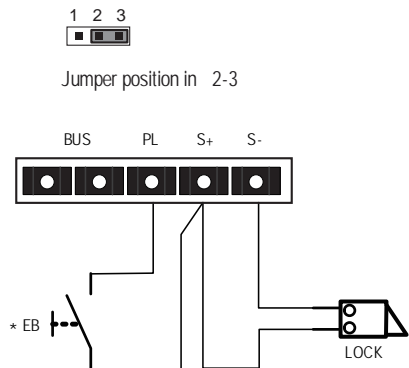


Electric Lock Connection

Door Lock Controlled with Internal Power

Note:

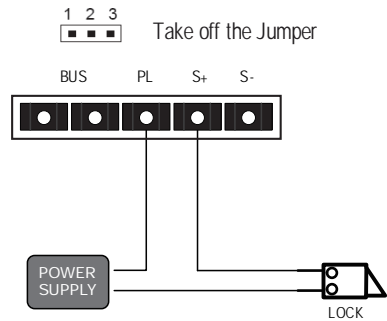
1. Electronic lock of Power-on-to-unlock type should be used.
2. The door lock is limited to 12V, and holding current must be less than 250mA.
3. The door lock control is not timed from Exit Button(EB).
4. The **Unlock Mode** Parameter of Monitor must be set to 0 (by default).



Door Lock Controlled with Dry Contact

Note:

1. The external power supply must be used according to the lock.
2. The inside relay contact is restricted to AC or DC 24V/1A.
3. The jumper must be taken off before connecting.
4. Setup the **Unlock Mode** of Monitor for different lock types.
 - Power-on-to-unlock type:Unlock Mode=0 (by default)
 - Power-off-to-unlock type:Unlock Mode=1



Unlock parameter setting(set on monitor)

- On main menu page, touch **[Logo]** icon to enter **About** page.
- When the screen stay in **About** page, press **[UNLOCK]** button on front panel and hold for 2 seconds.
- A keypad is shown.

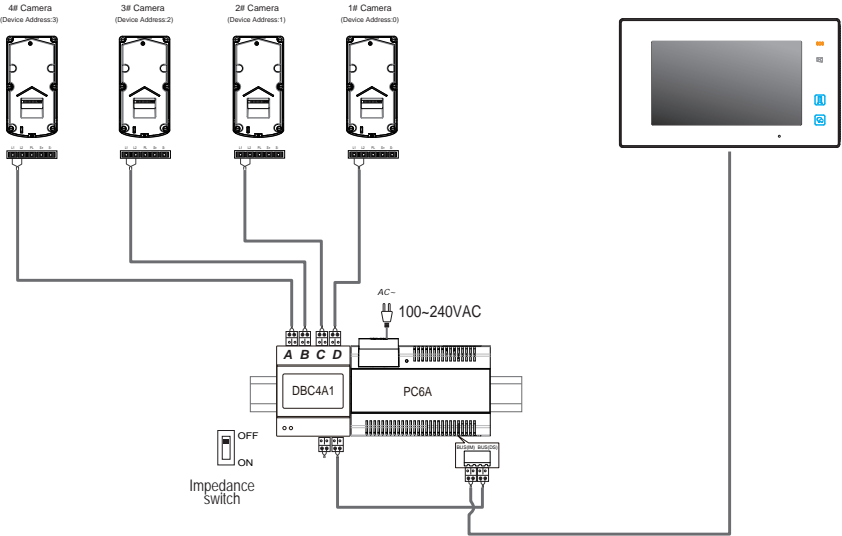
Refer to the followings:



Note:

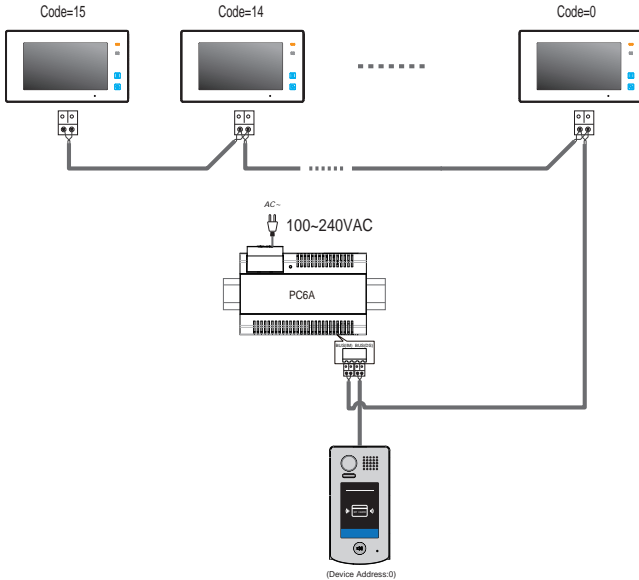
1. must connect DT601(F)/ID/FE correctly before setting.
2. the parameter will be saved in DT601(F)/ID/FE automatically, so you need only set on one monitor.
3. Here we take DT47MG(the monitor) for example, please refer to the corresponding user manual.

Multi Door Stations Connection



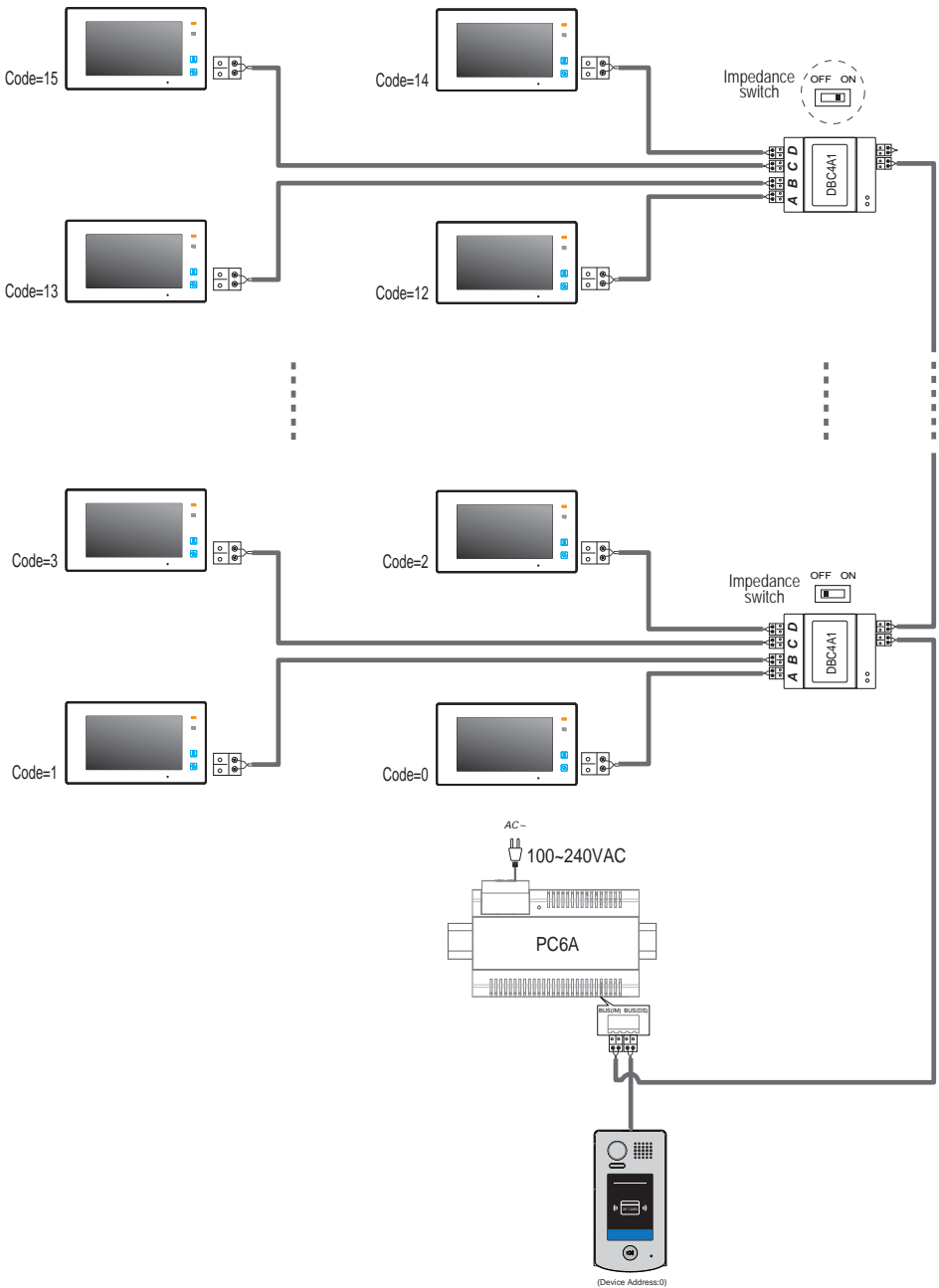
Multi Monitors Connection

Basic IN-OUT Wiring Mode



NOTE:Here we take DT47MG(the monitor) for example.

With DBC4A1 Wiring Mode



NOTE: Here we take DT47MG (the monitor) for example.

5. Pan-tilt & Zoom & Panview

Note that this function requires the monitor with fish-eye function to support.

It is available to adjust the display mode for viewing images at a fish-eye door station by using the 5 direction pad button.

When an image at a door station is displayed, move to the desired position by touching ▲ ▼ ● ◀ ▶ on the screen to view the image in zoom mode.

Note: The edge of pantilt image will not be displayed.



Screen of monitor

Here are some examples:

Touch ● icon to zoom the center position.



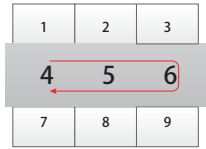
Panview function:

We divided the screen image into nine parts, as shown in the figure to the right.

In this case there are two panview modes:

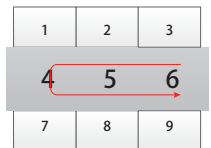


1) Touch area 4: zoom area 4, the lens moves to area 6, and then return to area 4;(As below picture)



Note: Touch the screen again to exit the panview mode.

2) Touch area 6: zoom area 6, the lens moves to area 4, and then return to area 6;(As below picture)

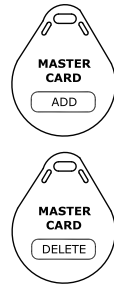


Note: Touch the screen again to exit the panview mode.

6. ID Card Registration

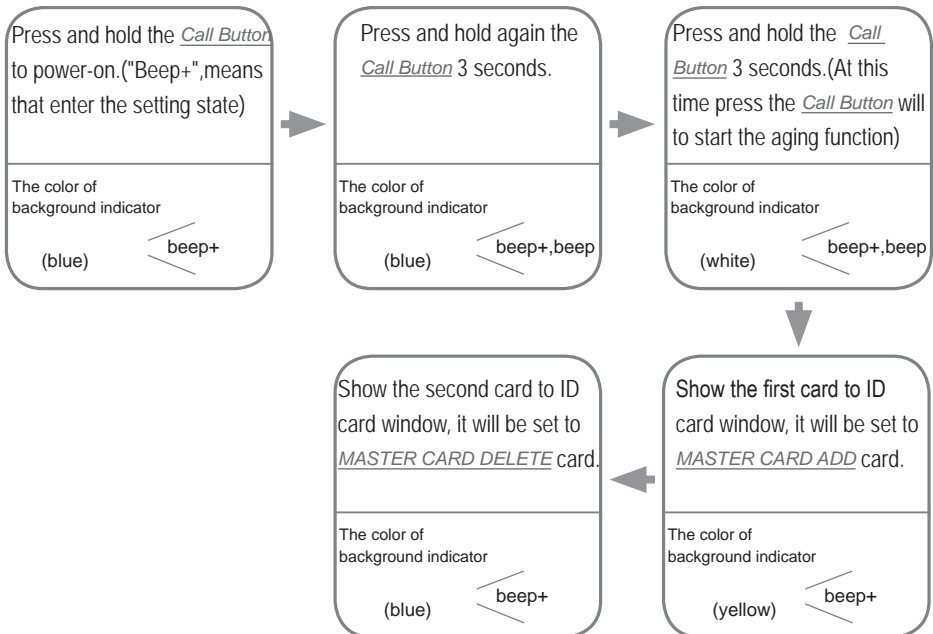
Introduction:

- Up to 320 user cards can be registered by the door station.
- Easy management with LED status and sound hints.
- There are two master cards, one MASTER CARD ADD card and one MASTER CARD DELETE card, When registered new master cards, the old master cards are invalid automatically.
- Card reading distance is from 3 to 5 cm.
- The master cards are necessary when you add or delete user cards. Please keep it well for future use.



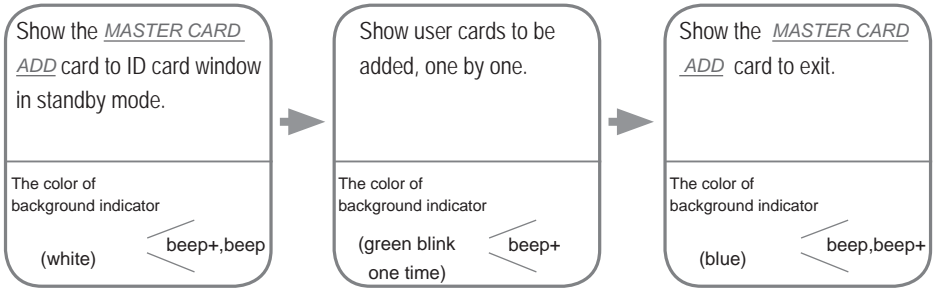
Authorize master cards:

By default, there are two master cards marked MASTER CARD ADD and MASTER CARD DELETE, but you should know that the master card can be authorized by users at any time. That means any two user cards can be authorized to master cards. When registered new master cards, the old master cards are invalid automatically.



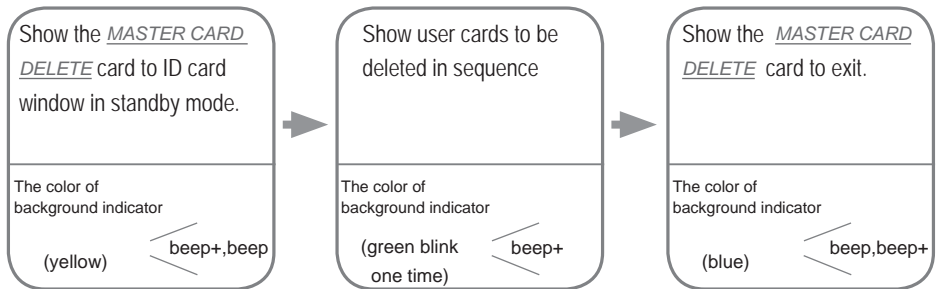
Notice: it will return to standby mode if no operation within 10s. Or press **Call Button** to exit the state of setting and start to call the monitor (except step 3).

Add User Cards:



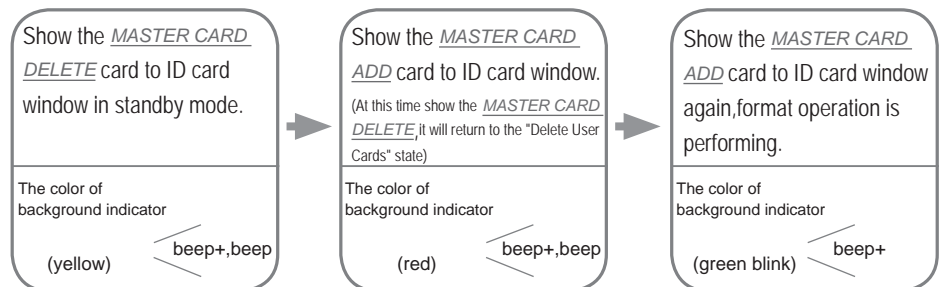
Notice:it will return to standby mode if no operation within 10s .Or press **Call Button** to exit the status of setting and start to call the monitor.

Delete User Cards:



Notice:it will return to standby mode if no operation within 20s.Or press **Call Button** to exit the status of setting and start to call the monitor.

Access Initialization (delete all user cards):



Notice:1.Automatically returns to standby mode after FORMAT completed.

2.It will return to standby mode if no operation within 20s.Or press **Call Button** to exit the status of setting and start to call the monitor.

7.Unlock Operations

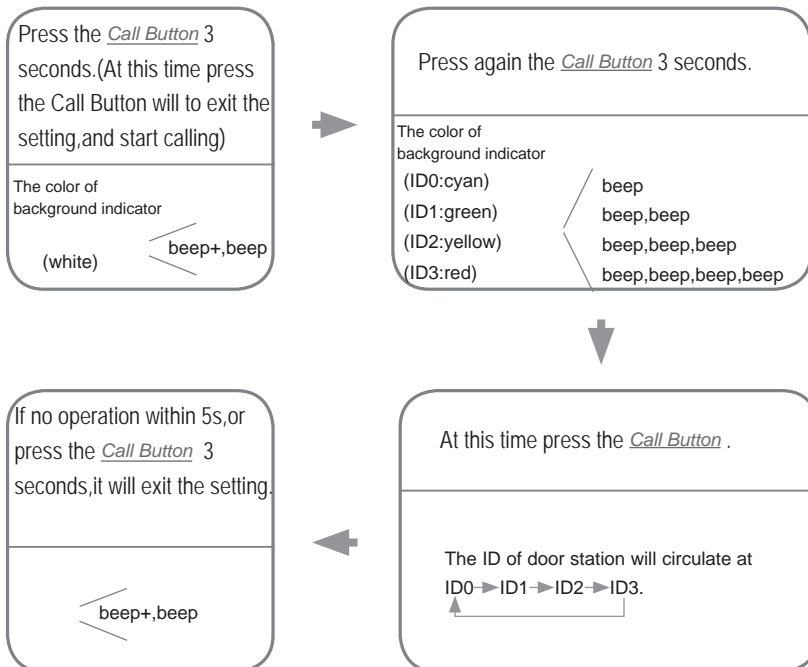
Unlocking of ID Card

When the registered user card has been shown to ID card window, the LED background indicator lights up, the buzzer sounds,and the electric door strike is unlocked.



1. If show the authorized user card,the buzzer will sound of beep+,and the LED background indicator will light up.
2. If show the unauthorized user card,the buzzer will sound of beep,beep,beep.

8.ID Settings of Door Station



9. Precautions

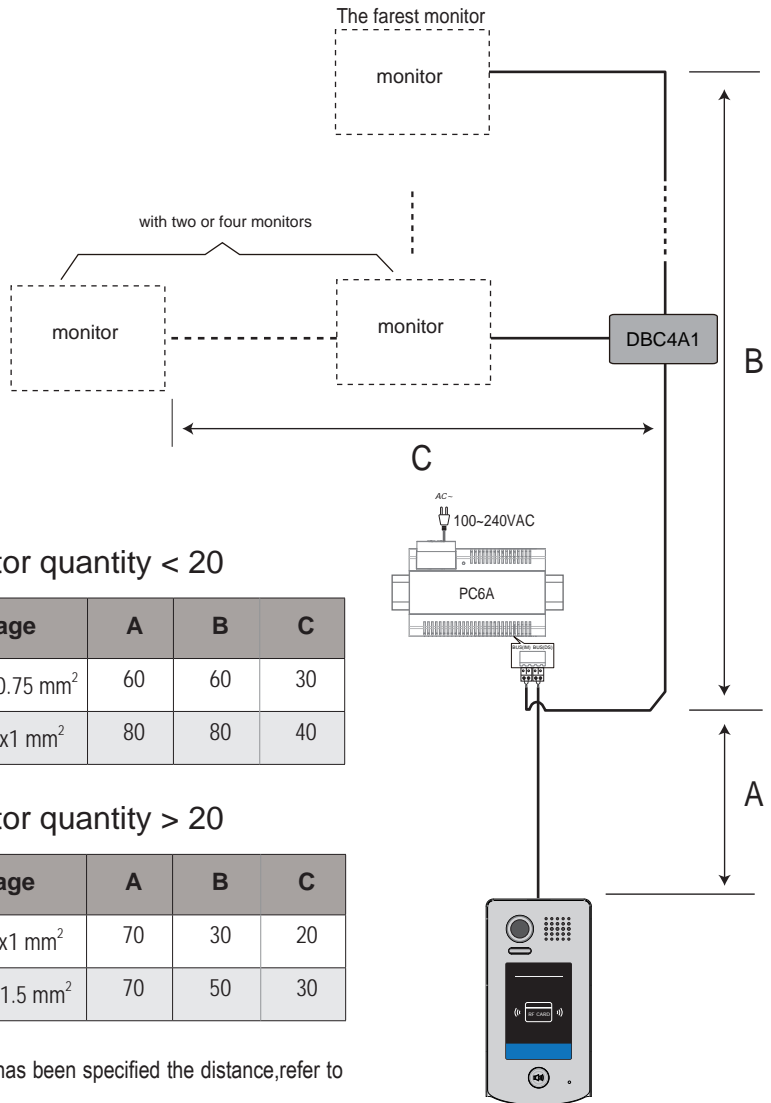
- Please clean the unit with soft cotton cloth, don't use the organic impregnant or chemical clean agent. If necessary, please use a little pure water or dilute soap water to clean the dust.
- The unit is weather resistant. However do not spray high pressure water on access control keypad directly. Excessive moisture may cause problems with the unit.
- You must use the right adaptor which is supplied by the manufacture or approved by the manufacture..
- Pay attention to the high voltage inside the products, please refer service only to a trained and qualified professional.

10. Specifications

- Power Supply : DC 24V ;
- Power Consumption: Standby 40mA; Working status 160mA;
- Camera: Color CMOS, 2.0 Mega pixel
1/2.7" fisheye camera, 170° wide angle;
- Unlocking time: 1~99s
- Lock Power supply: 12Vdc, 280mA (Internal Power);
- Number of relay circuits: 2 (the second lock need external device to support)
- Mounting: Surface mounting (DT601/ID/FE)
Flush mounting (DT601F/ID/FE)
- Working temperature: -15°C ~ +55°C
- Dimension: 182(H)×93(W)×44(D)mm (DT601/ID/FE)
220(H)×120(W)×50(D)mm (DT601F/ID/FE)

11. Cables Requirements

The maximum distance of the wiring is limited in the DT system. Using different cables may also affect the maximum distance which the system can reach.



When Monitor quantity < 20

Cable Usage	A	B	C
Twisted cable 2x0.75 mm ²	60	60	30
Twisted cable 2x1 mm ²	80	80	40

When Monitor quantity > 20

Cable Usage	A	B	C
Twisted cable 2x1 mm ²	70	30	20
Twisted cable 2x1.5 mm ²	70	50	30

Note: If the monitor has been specified the distance, refer to the parameter.

The design and specifications can be modified without notice to the user. Right to interpret and copyright of this manual are reserved.