

# Product Information

---

---

## DMR18S Series 2-Wire Door Station

---

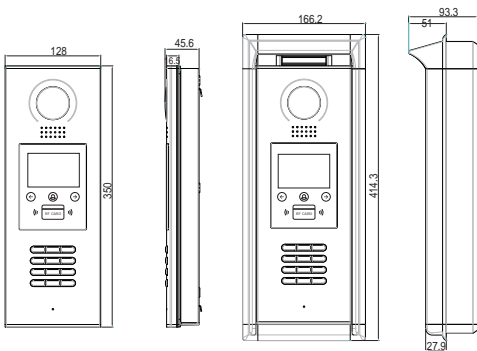


---

### DESCRIPTION

2-wire apartment system color ARS camera outdoor station with proximity access control.

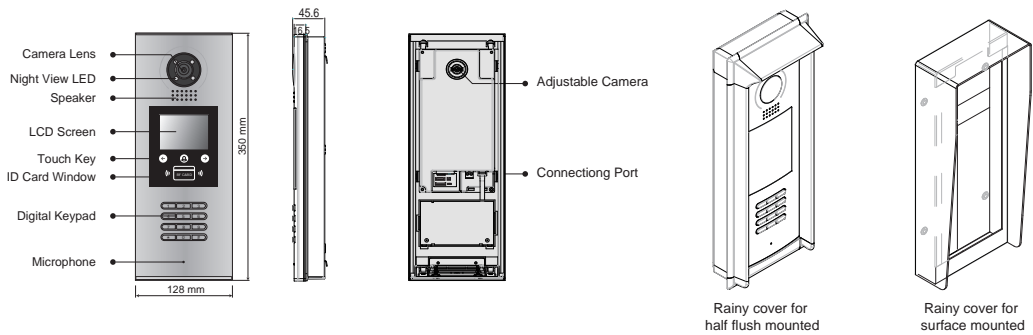
### DIMENSION



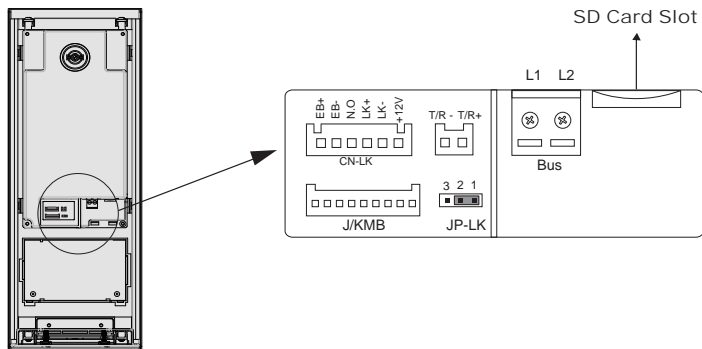
### FEATURES

- ▶ Reliable proximity access;
  - ▶ Password unlock;
  - ▶ Keypad room-code calling;
  - ▶ New menu-structure design;
  - ▶ Synthesis language reminder;
  - ▶ Large capacity(max.128 apartments via BDU);
  - ▶ Name list via TFT screen display;
  - ▶ Rainy cover for surface mounting;
  - ▶ Aluminum alloy panel design with keypad;
  - ▶ Camera's angle is adjustable;
  - ▶ 3.5 inch color TFT display;
  - ▶ IP 44 protection rate;
  - ▶ Compatible with all DT two wire system models.
-

# 1. Parts and Functions



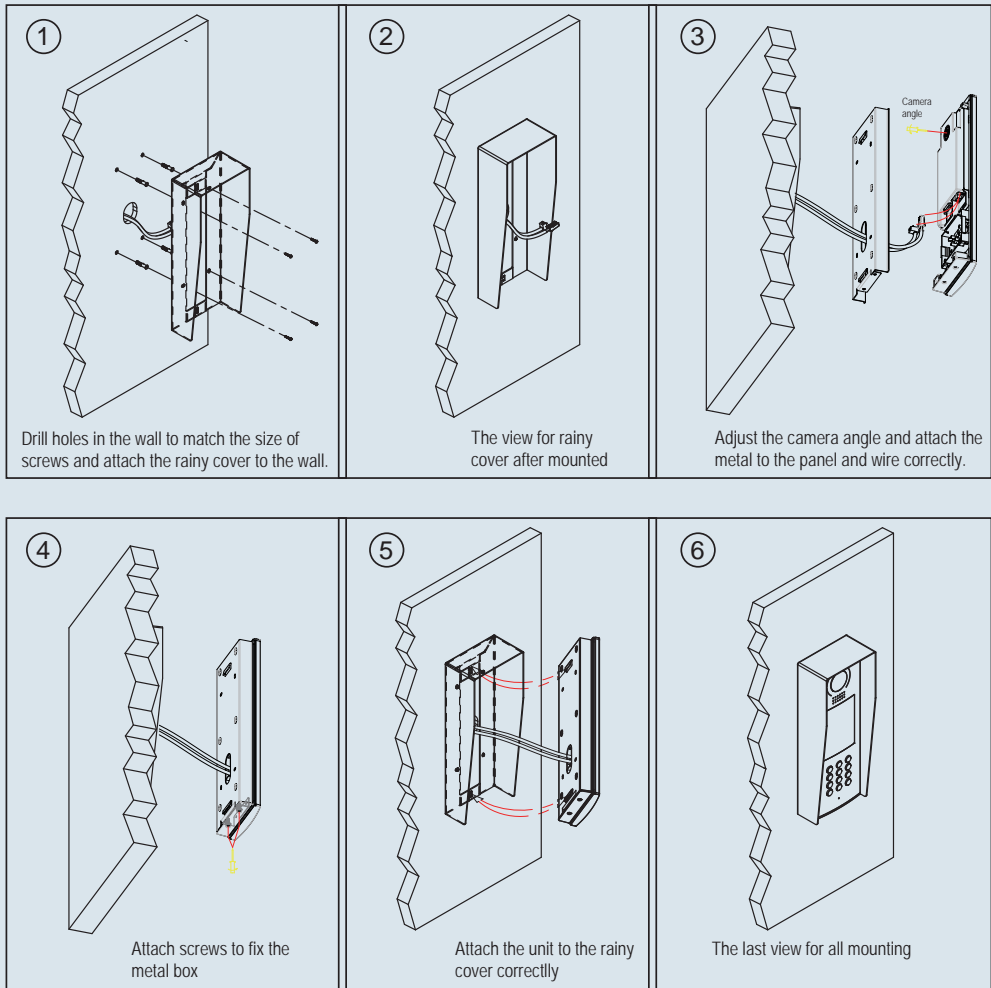
## Terminal description



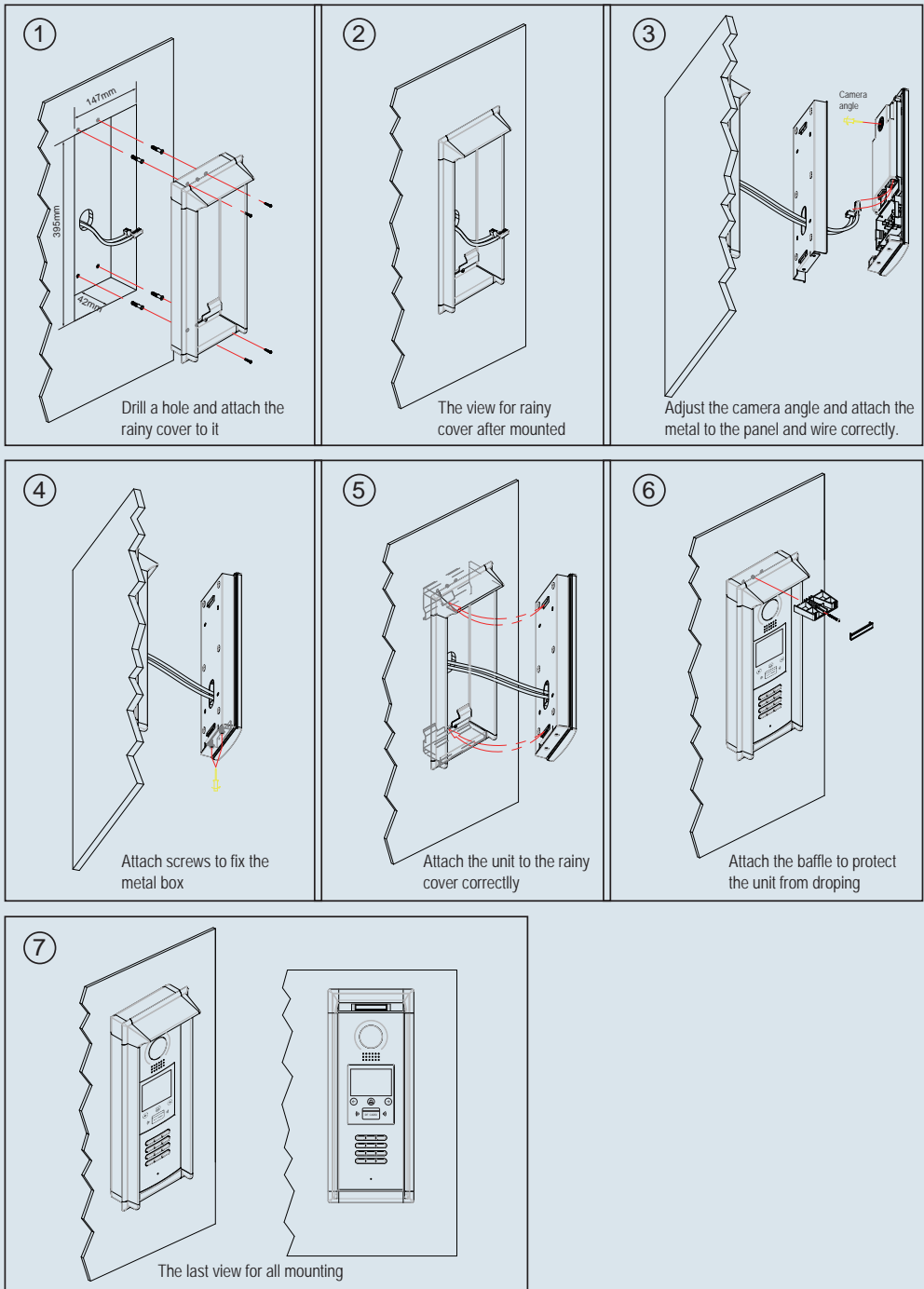
- \* **+12V:** 12VDC power output.
- \* **LK-(GND):** Power ground.
- \* **LK+(COM):** Common contact of the Relay .
- \* **NO.:**Normally open contact of the Relay(refer to DT technical guide for Lock connection detail informations).
- \* **EB+:** Exit button connection port.
- \* **EB-:** Exit buton connection port.
- \* **JP-LK:** For electronic lock safety type setting(refer to Door Station Lock Connections).
- \* **T/R-:** USB-RS485 communication terminal negative.
- \* **T/R+:** USB-RS485 communication terninal positive.
- \* **Bus(L1,L2):** non-polarity bus line.

## 2. Door Station Mounting

### Surface mounting



# Flush mounting



### 3. Specification

- \* Power supply: DC24V;
- \* Camera Lens: 1/4 ACS 4T image sensor with DSP processor;
- \* Power consumption: Standby 33mA;Working status 157mA;
- \* Screen: 3.5 inch TFT ;
- \* Resolution: 320(R, G, B)X240 pixels;
- \* Video signal: CCIR/EIA Optional;
- \* Wiring: 2 wires (non-polarity);
- \* Dimension: 350(H)×128(W)×46(D)mm

### 4. Ordering Information for Door Station

Model No.	Brief Description	Remark
DMR18S/ID	Color CCD outdoor station with proximity access control	NSTC,PAL must be specified
RH18	Rainy cover for half flush mounted	
RH18S	Rainy cover for surface mounted	

### 5. Packing Information



Dimensions: 420(H)X171(W) X98(D) mm  
Gross Weight: 1.82Kg



Carton: 415 (H)×360 (W)×265 (D)mm  
Quanlity: 7PCS